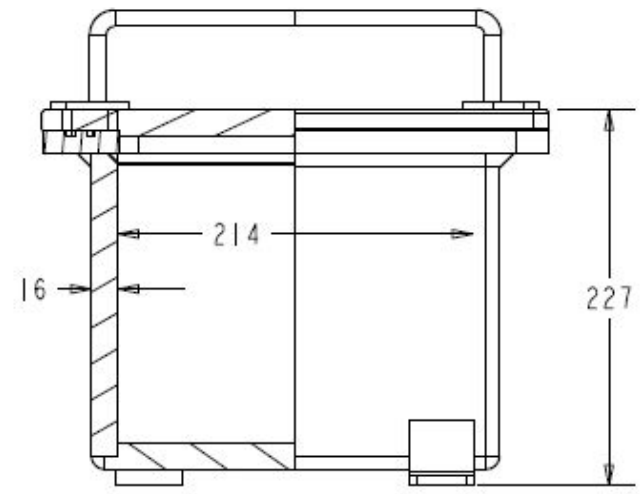


SECTION C-C
SCALE 0.200



SECTION A-A



TITLE	100 METER BATTERY BOX	PROJECT	DRAWING NO	4089	ISSUE	4	ISSUE DATE	19th May 2014	ITEM	
	MATERIAL			ALUMINIUM GRADE 5083		NOTES FOR PRODUCTION		NITRILE O RINGS BS 281 & BS 282		UNITS