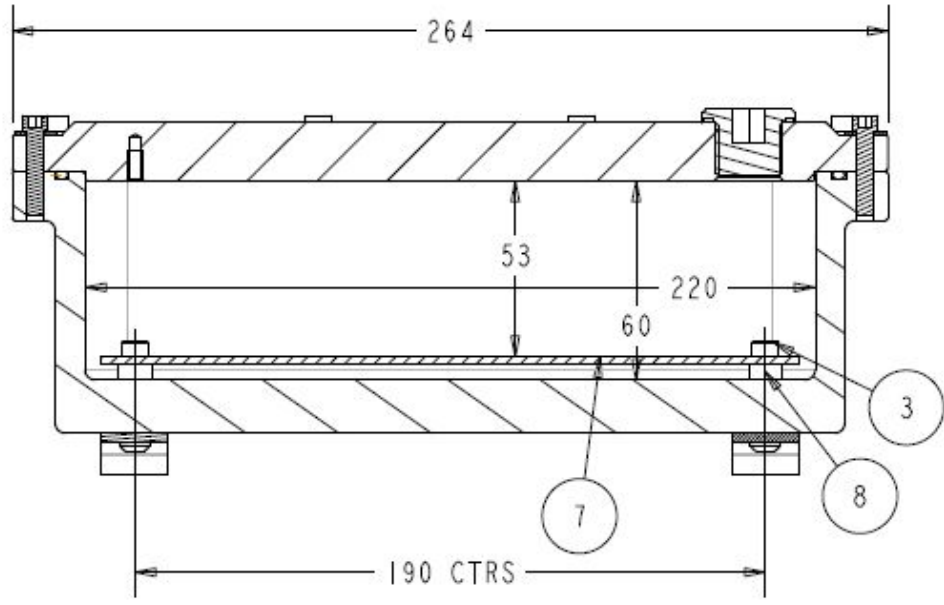
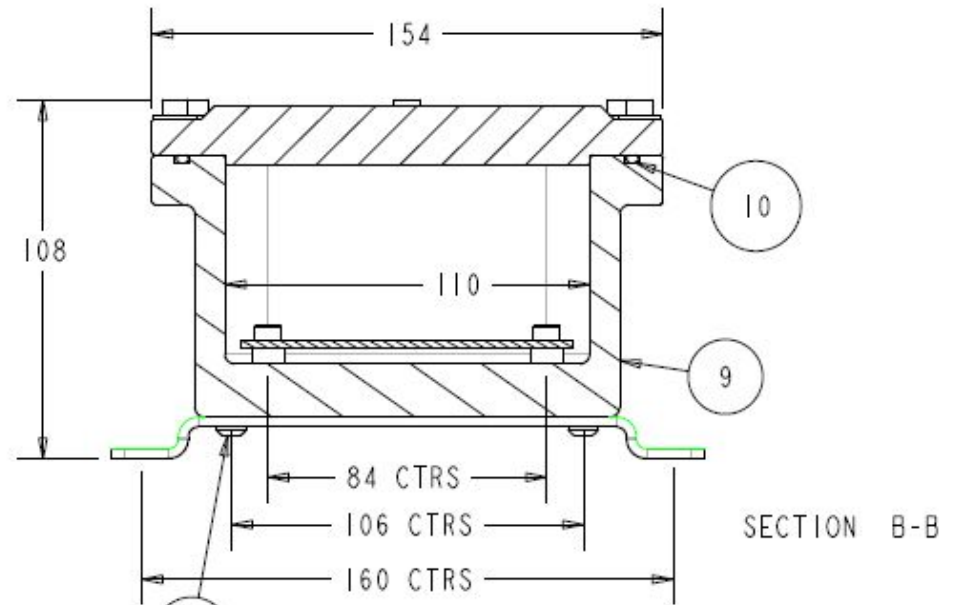


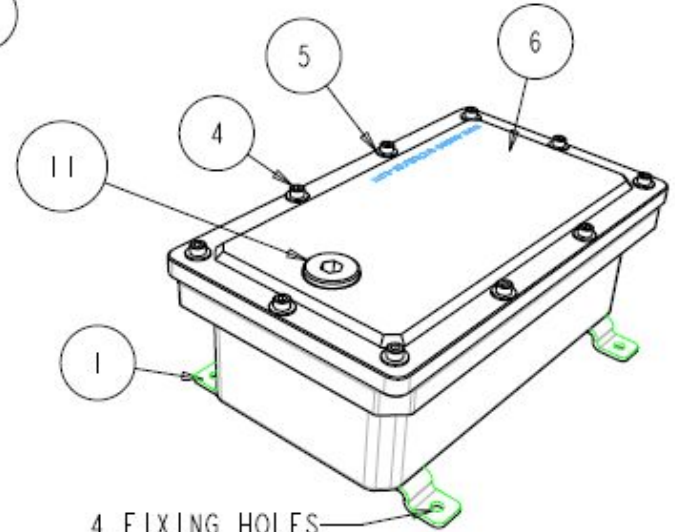
3RD ANGLE



SECTION A-A  
SCALE 0.400



SECTION B-B



4 FIXING HOLES  
MAX SCREW SIZE 1/4"

ITEM	DESCRIPTION	MATERIAL	QTY
1	BRIDGE FOOT	316 S/STEEL	2
2	SCREW;BTN HD;#10-32X1/2;S.S.	316 S/STEEL	4
3	SCREW;SOC.CAP;#10-32X1/2;S.S.	316 S/STEEL	4
4	SCREW;SOC.CAP;#10-32X1;S.S.	316 S/STEEL	10
5	WASHER 3/16" X 1/2" X 20G	316 S/STEEL	10
6	BOX LID	5083 ALUMINIUM	1
7	SUB PLATE	# ALUMINIUM 6082-T6	1
8	PILLAR	ACETAL	4
9	BOX BODY	ALUMINIUM 5083	1
10	O SEAL 3.0 SECTION 220 I.D.	NITRILE	1
11	BLANKING PLUG M20 X 1.5	ST/STEEL 316S33	1

# OTHER MATERIALS AVAILABLE ON REQUEST

<b>SLAYSON</b>	TITLE	ALUMINIUM FOX BOX	PROJECT	STANDARD PRODUCT	WEIGHT	4 KG	DRAWING NO	4004	ISSUE	1	ISSUE DATE	15th March 2005
	RATING	400 METRES	NOTES	MACHINED FROM SOLID	UNITS	mm	DRAWN BY	E Bowes	CHECKED BY	A B	SHEET	1 OF 1