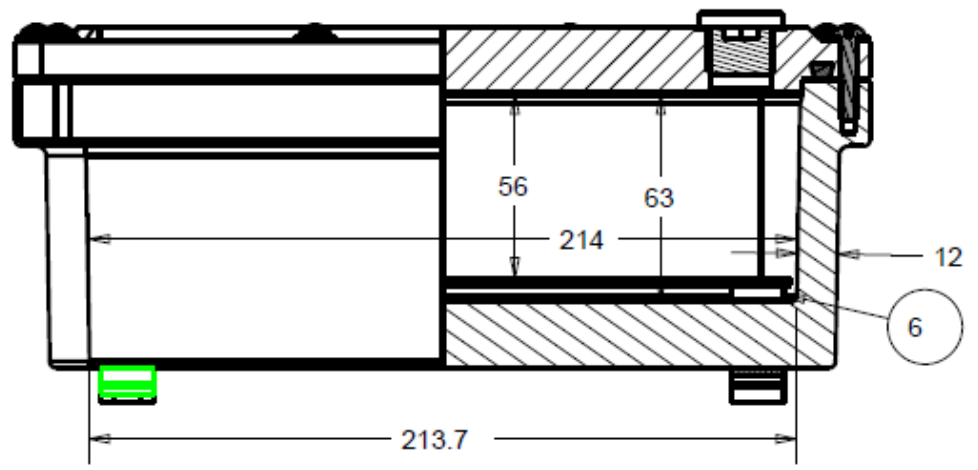
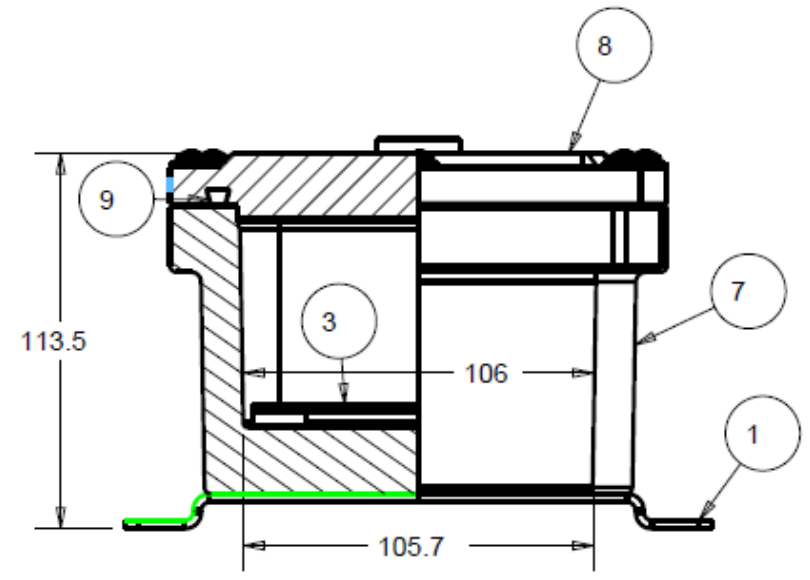


ITEM	DESCRIPTION	MATERIAL	QTY
1	BRIDGE FOOT	316 S/STEEL	2
2	BLANKING PLUG M20 X 1.5	316 ST/STEEL	1
3	SUB PLATE	6081-T6 ALUMINIUM	1
4	OVERSIZE WASHER	A4	10
5	SCREW;PAN_PHLP;#10-32X1;S.S.	A4	10
6	PILLAR	ACETAL	4
7	BOX BODY	RIGID PU	1
8	BOX LID	RIGID PU	1
9	CAPTIVE GASKET SEAL	SILICON RUBBER	1



SECTION A-A



SECTION A-A

<b>SLAYSON</b>	TITLE	FOX BOX - RIGID PU	PROJECT	STANDARD HOUSING	SCALE	0.400	DRAWING NO	4040	ISSUE	1	ISSUE DATE	5th April 2010
	RATING	50 METERS	NOTES	WEIGHT 2.6 KILOS	UNITS	mm	DRAWN BY	E Bowes	CHECKED BY	A B	SHEET	1