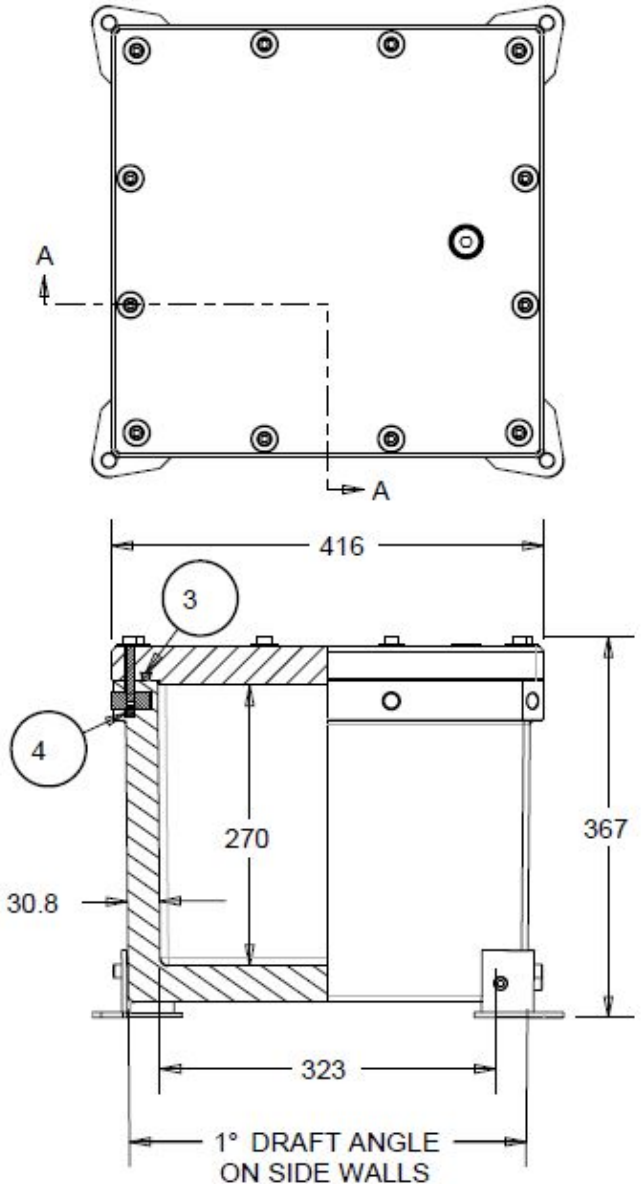


SCALE 0.125



SECTION A-A  
SCALE 0.125

ITEM	FILE NAME	DESCRIPTION	MATERIAL	QTY
1	OVERSIZE_WASHER	THICK WASHER	316 S/S	12
2	SQUARE_LID	BOX LID	# RIGID POLYURETHANE	1
3	SQ_BOX_SEAL	CAPTIVE GASKET SEAL	# SILICON RUBBER	1
4	CUP_POINT_GRUB_SCREW	SCR,N1-4X1,SKT_HD_CAP,BLK_ZN	A4	12
5	M840S	SCREW-SOC.CAP;M8X40-S.S.	A4	8
6	M8X55	SCREW-SOC.CAP;M8X60-S.S.	A4	12
7	SQUARE_BOX	BOX BODY	RIGID POLYURETHANE	1
8	FOOT	MOUNTING FEET	ST/STEEL 316S33	4
9	FOOT_ANCHOR	LID - ANCHOR PIN	ST/STEEL 316S33	4
10	LID_ANCHOR	LID - ANCHOR PIN	ST/STEEL 316S33	12
11	M20_PLUG	BLANKING PLUG M25 X 1.5	ST/STEEL 316S33	1

<b>SLAYSON</b>	TITLE	PROJECT	DRAWING NO	ISSUE	ISSUE DATE	
	SQUARE BOX	STANDARD HOUSING	4030	1	20th July 2010	
	RATING	NOTES	UNITS	DRAWN BY	CHECKED BY	SHEET
	30 METERS	DIMENSIONS SHOWN ARE AS CAST, TOLERANCE ± 2	mm	E Bowes	A B	1