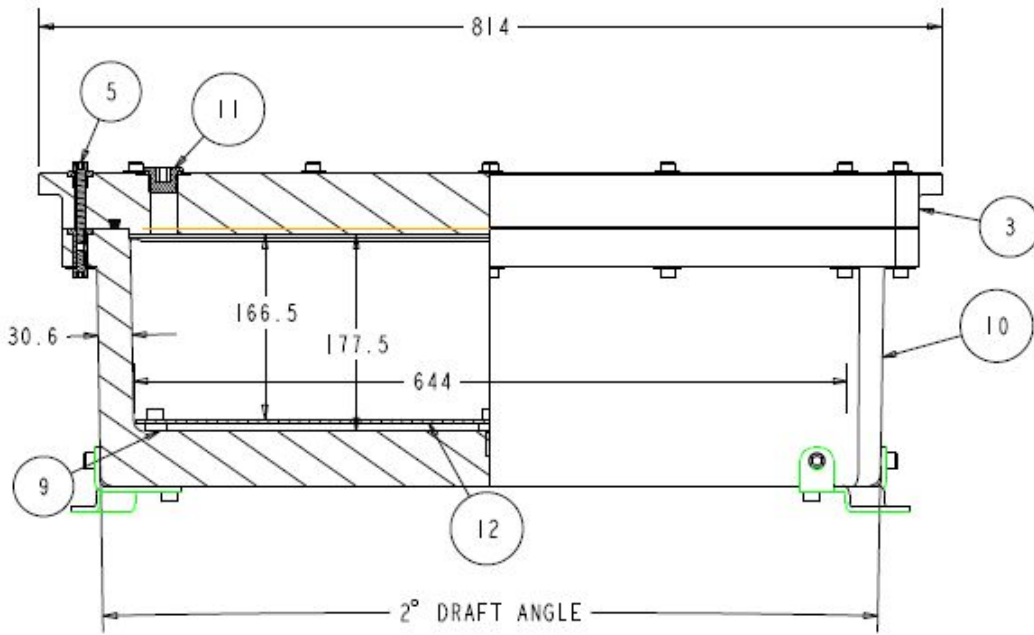
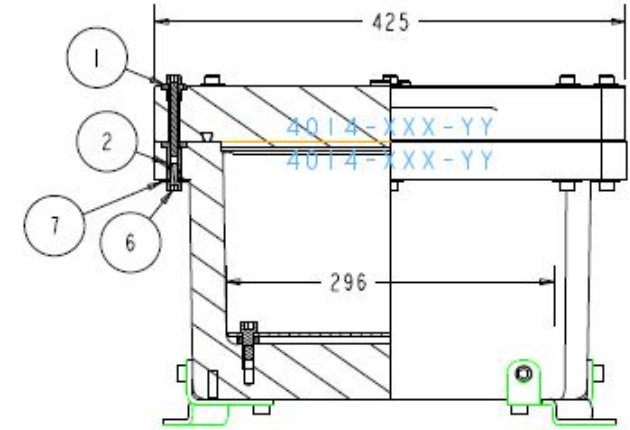


3RD ANGLE

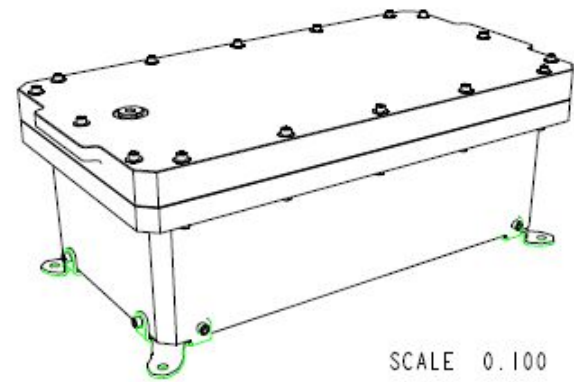


SECTION C-C  
SCALE 0.200




ITEM	FILE NAME	DESCRIPTION	MATERIAL	QTY
1	LID_INSERT	LID INSERT	# AL/BRONZE NES833	16
2	TAPPED	TAPPED INSERT WITH SPLINED BODY	# AL/BRONZE NES833	16
3	HOUSING_TOP	BOX LID	# RIGID POLYURETHANE	1
4	SEAL	CAPTIVE GASKET SEAL	# SILICON RUBBER	1
5	M8_65_SS	SCREW-SOC.CAP; M8X65-S.S.	A4	16
6	M816S	SCREW-SOC.CAP; M8X16-S.S.	A4	16
7	M8X25_PENNY_WASHER	M8 X 25 PENNY WASHER	A4	16
8	N3-8X1S	SCREW; SOC. CAP; 3/8-16X1; S.S.	A4	18
9	SPACER	PLASTIC SPACER	ACETAL	6
10	HOUSING_BASE	BOX BODY	RIGID POLYURETHANE	1
11	BLANKING_PLUG	BLANKING PLUG M20 X 1.5	ST/STEEL 316S33	1
12	SUB_PLATE		ST/STEEL 316S33	1
13	4014_SHOE			4

# OTHER MATERIALS AVAILABLE ON REQUEST



SCALE 0.100

	TITLE SEA CHEST - UNDERWATER HOUSING		RATING 70 METERS	SCALE 0.15	DRAWING NO 4014	ISSUE 4	ISSUE DATE 10th Nov 2009	
	MATERIAL SEE TABLE	NOTES DIMENSIONS SHOWN ARE A CAST, TOLERANCE ± 2	UNITS mm	DRAWN BY E Bowes	CHECKED BY A B	SHEET 1 OF 11		